

# Technical data sheet

## Product features



### Multi-function fixed braising pan drop-in bowl electric 11 l TOP 400 V

<b>Model</b>	<b>SAP Code</b>	00007474
--------------	-----------------	----------



- Bottom material: Stainless steel - suitable for cooking, easy maintenance
- Bottom thickness: 16.00
- Basin volume [l]: 11
- Usable volume [l]: 11
- Protection of controls: IPX5
- Basin dimensions [mm x mm x mm]: 300 x 510 x 100
- Service accessibility: Trough the frontal panel

<b>SAP Code</b>	00007474	<b>Bottom material</b>	Stainless steel - suitable for cooking, easy maintenance
<b>Net Width [mm]</b>	400	<b>Basin volume [l]</b>	11
<b>Net Depth [mm]</b>	600	<b>Usable volume [l]</b>	11
<b>Net Height [mm]</b>	280	<b>Width of internal part [mm]</b>	300
<b>Net Weight [kg]</b>	20.00	<b>Depth of internal part [mm]</b>	510
<b>Power electric [kW]</b>	4.000	<b>Height of internal part [mm]</b>	100
<b>Loading</b>	400 V / 3N - 50 Hz		

# Technical data sheet

Technical drawing

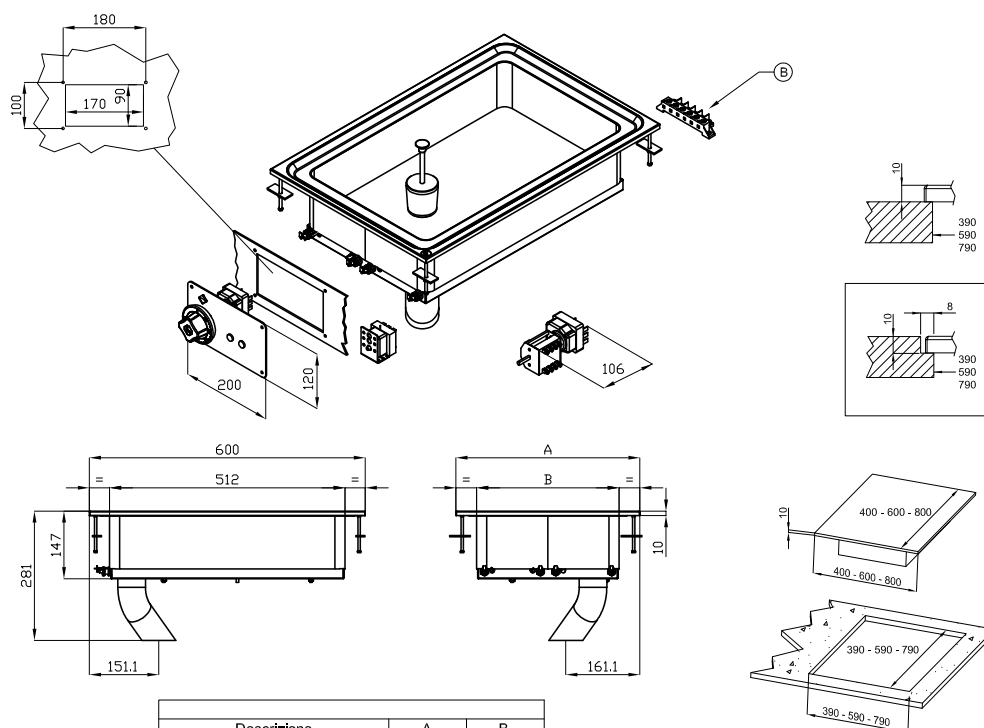


## Multi-function fixed braising pan drop-in bowl electric 11 l TOP 400 V

Model

SAP Code

00007474



A	Data plate		B	Electrical connection	
---	------------	--	---	-----------------------	--

# Technical data sheet

Product benefits



## Multi-function fixed braising pan drop-in bowl electric 11 l TOP 400 V

Model

SAP Code

00007474

1

### All-pink removable design

long life  
resistance of AISI 304 stainless steel material  
the material does not cut

- savings on service interventions
- easier and faster operation

2

### Degree of protection of the control elements IPX5

maintenance-free system  
resistance to splash water  
long life

- savings on service interventions
- easy cleaning and maintenance of equipment

3

### Outlet into a removable collector

outlet of the bath into the prepared container

- easy and safe handling

# Technical data sheet

Technical parameters



## Multi-function fixed braising pan drop-in bowl electric 11 l TOP 400 V

Model

SAP Code

00007474

**1. SAP Code:**

00007474

**2. Net Width [mm]:**

400

**3. Net Depth [mm]:**

600

**4. Net Height [mm]:**

280

**5. Net Weight [kg]:**

20.00

**6. Gross Width [mm]:**

430

**7. Gross depth [mm]:**

630

**8. Gross Height [mm]:**

470

**9. Gross Weight [kg]:**

28.00

**10. Device type:**

Electric unit

**11. Construction type of device:**

Drop-in

**12. Power electric [kW]:**

4.000

**13. Loading:**

400 V / 3N - 50 Hz

**14. Protection of controls:**

IPX5

**15. Material:**

AISI 304

**16. Indicators:**

operation and warm-up

**17. Basin volume [l]:**

11

**18. Basin dimensions [mm x mm x mm]:**

300 x 510 x 100

**19. Maximum device temperature [°C]:**

300

**20. Minimum device temperature [°C]:**

50

**21. Power control type:**

knob control

**22. Service accessibility:**

Trough the frontal panel

**23. Additional information:**

outlet to removable collector in the substructure

**24. Bottom thickness:**

16.00

**25. Bottom material:**

Stainless steel - suitable for cooking, easy maintenance

**26. Usable volume [l]:**

11

**27. Drain:**

Yes

**28. Width of internal part [mm]:**

300

# Technical data sheet

Technical parameters



**Multi-function fixed braising pan drop-in bowl electric 11 l TOP 400 V**

<b>Model</b>	<b>SAP Code</b>	00007474
--------------	-----------------	----------

**29. Depth of internal part [mm]:**

510

**30. Height of internal part [mm]:**

100